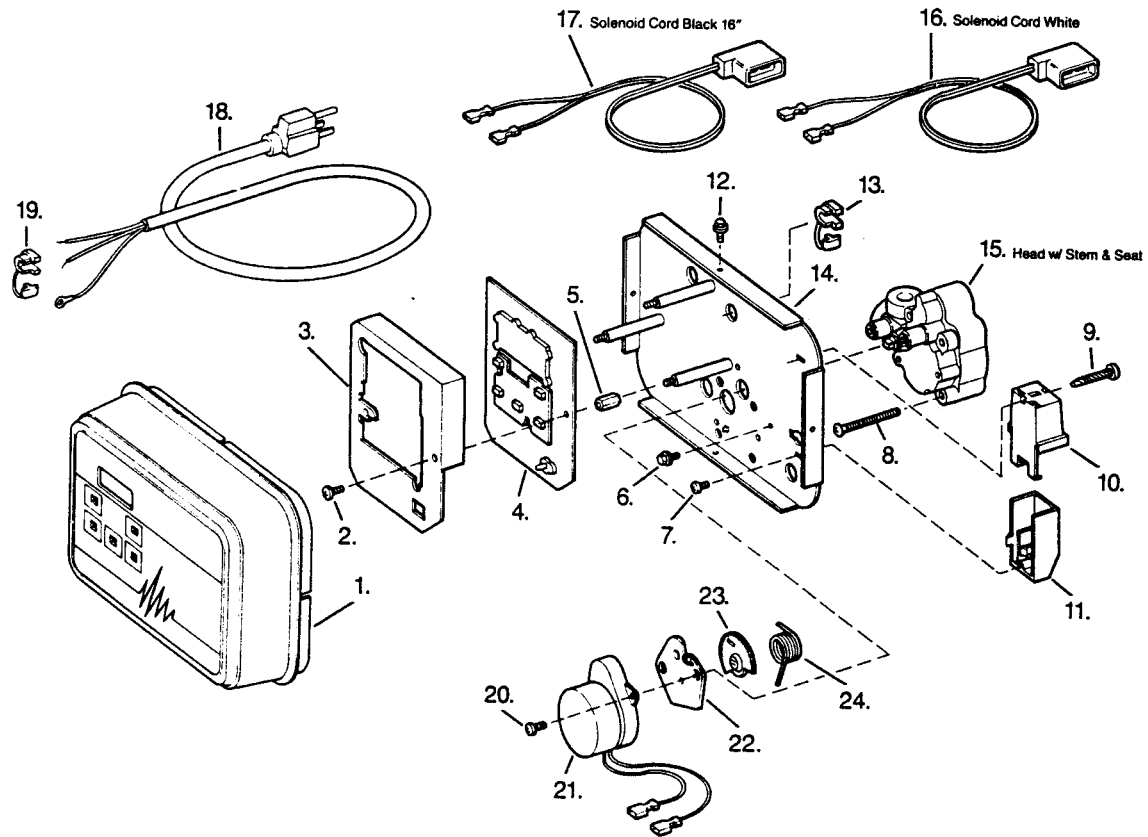




ERIE CONTROLS

541 ELECTRONIC POWER HEAD ASSEMBLY



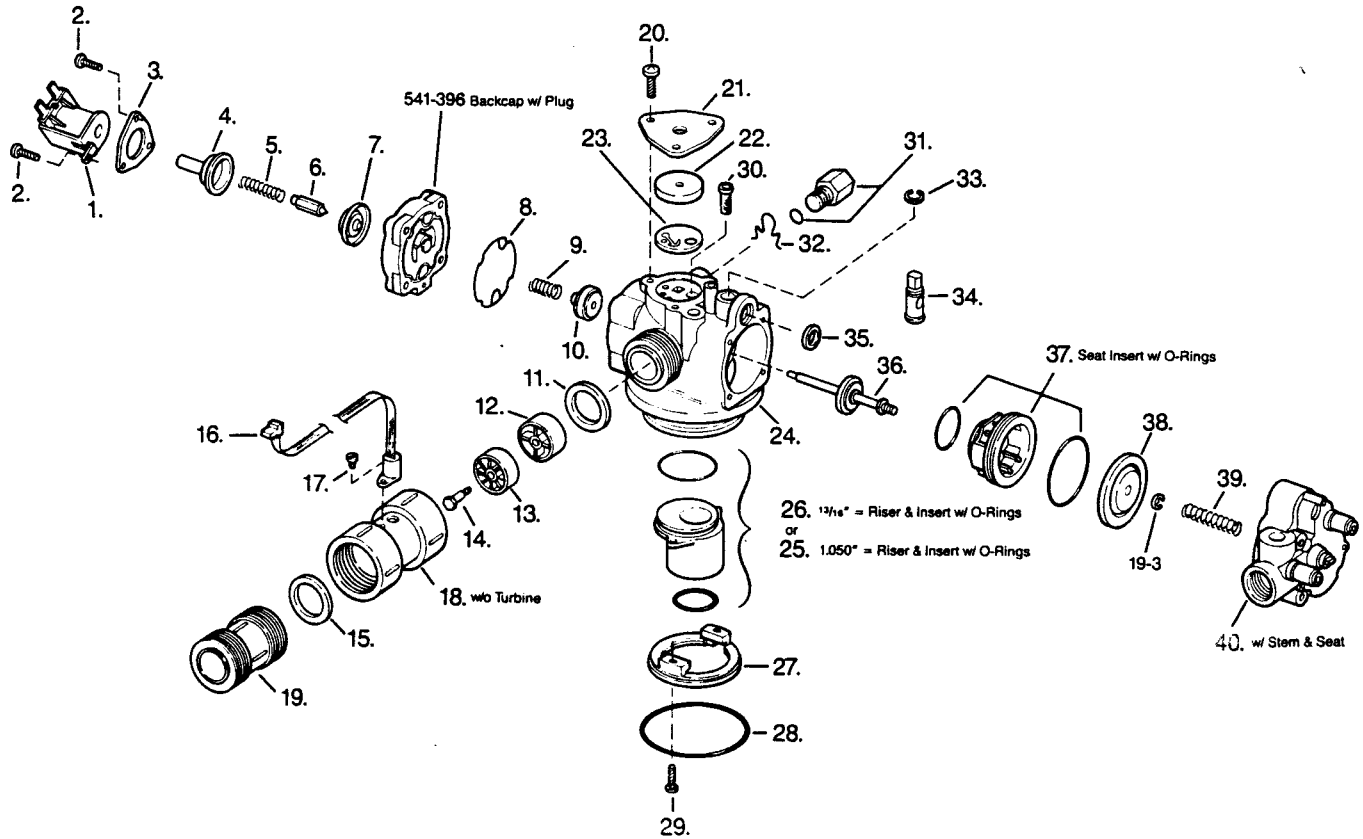
NO.	PART NO.	DESCRIPTION
1.	568-360-2	1 pc. Cover & Decal Assembly
2.	15A179-2	Screw
3.	570-247-2	Insulator
4.	2001-238-XX	PCB Assembly
5.	570-229	Support
6.	15-41-2	Screw
7.	15-102	Screw
8.	15-87	Screw
9.	15-180-20	Screw
10.	570-224-1	Battery Holder, Top
11.	570-221	Battery Holder, Bottom
12.	15-41-1	Screw

NO.	PART NO.	DESCRIPTION
13.	28A8-21	Heyco Bushing
14.	541-378-3	Back Plate Assembly 1 pc. Cover
15.	541-368	Head Assembly
16.	567-212	Solenoid Cord Assembly (White)
17.	413-135-16	Solenoid Cord Assembly (Black 16')
18.	28-142-4	Cord Set Assembly
19.	28-8-31	Heyco
20.	15-76	Screw
21.	34-17	Motor & Term Assembly
22.	409A18-1	Bearing Plate
23.	467-339	Gear Assembly
24.	467A349	Torsion Spring



ERIE CONTROLS

541-172 VALVE BODY ASSEMBLY



NO.	PART NO.	DESCRIPTION
1.	413-134-XX	Solenoid Coil (indicate voltage)
2.	15-90	Screw
3.	413-60	Spacer
4.	413-58	Guide
5.	413-62	Spring
6.	413-61	Plunger
7.	413-59	Diaphragm
8.	541-206	Back Cap Seal
9.	541-239	Check Disc Spring
10.	541-246	Check Disc Assembly
11.	541-213	Union Gasket
12.	570-206-2	Impeller Hub
13.	570-208	Impeller
14.	15-196	Screw
15.	541-213	Union Gasket

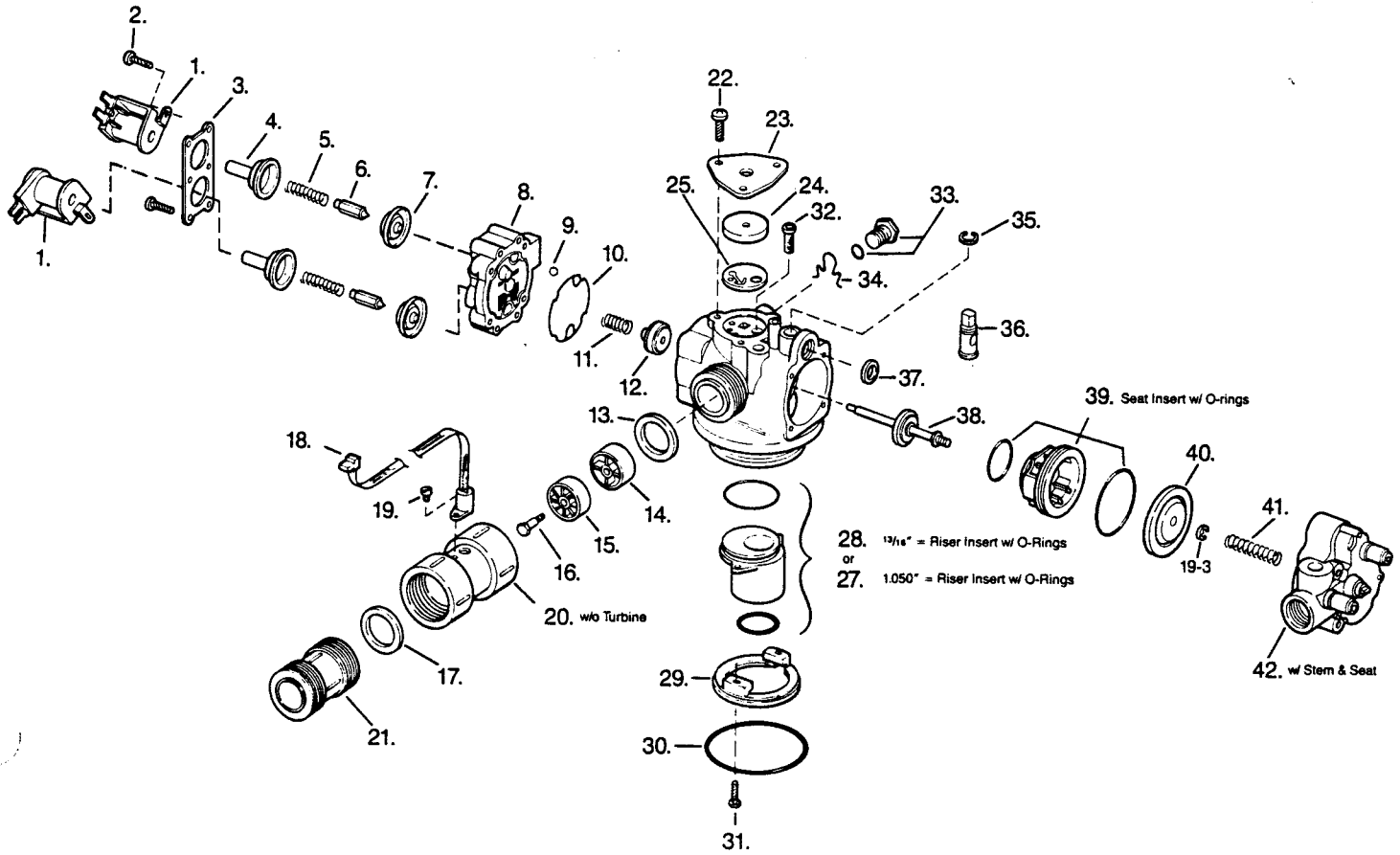
NO.	PART NO.	DESCRIPTION
16.	570-246-1	Sensor Cable 18"
17.	15-172	Screw
18.	570-209-1	Housing w/o Turbine
19.	570B214	Plug Impeller Housing
20.	15-89	Screw
21.	541-221	Injector Cap
22.	428-XX	Injector Disc
23.	541-325	Injector Gasket
24.	541-257-1	Body Assembly
25.	541-354	Riser Insert Assembly 1.050"
26.	541-248	Riser Insert Assembly 13/16"
27.	541-232	Adapter
28.	185-231-1	O-Ring

NO.	PART NO.	DESCRIPTION
29.	15-90	Screw
30.	413-13	Injector Filter
31.	541-264-1	Brine Line Plug Assembly
32.	541-254	Spring Clip
33.	19-19	Retaining Ring
34.	541-243	Backwash Valve Assembly
35.	529-244	Seal
36.	541-244	Stem Assembly
37.	541-245	Seat Insert Assembly
38.	541-256	Diaphragm Assembly
39.	516-221	Spring
40.	541-368	Head Assembly



ERIE CONTROLS

541-170/541-171/541-173 VALVE BODY ASSEMBLY



NO.	PART NO.	DESCRIPTION
1.	413-134-XX	Solenoid Coil (indicate voltage)
2.	15-90	Screw
3.	541-229	Spacer
4.	413-58	Guide
5.	413-62	Spring
6.	413-61	Plunger
7.	413-59	Diaphragm
8.	541-274-4	Back Cap
9.	541-275	Ball, Restrictor
10.	541-206	Back Cap Seal
11.	541-239	Check Disc Spring
12.	541-246	Check Disc Assembly
13.	541-213	Union Gasket
14.	570-206-2	Impeller Hub
15.	570-208	Impeller

NO.	PART NO.	DESCRIPTION
16.	15-196	Screw
17.	541-213	Union Gasket
18.	570-246-1	Sensor Cable 18"
19.	15-172	Screw
20.	570-209-1	Housing w/o Turbine
21.	570B214	Plug Impeller Housing
22.	15-89	Screw
23.	541-221	Injector Cap
24.	428-X	Injector Disc
25.	541-325	Injector Gasket
26.	541-257-11	Body Assembly
27.	541-354	Riser Insert Assembly 1.050"
28.	541-248	Riser Insert Assembly 1 1/16"
29.	541-232	Adapter

NO.	PART NO.	DESCRIPTION
30.	185-231-1	O-Ring
31.	15-90	Screw
32.	413-13	Injector Filter
33.	541-277	Brine Line Plug Assembly
34.	541-254	Spring Clip
35.	19-19	Retaining Ring
36.	541-243	Backwash Valve Assembly
37.	529-244	Seal
38.	541-244	Stem Assembly
39.	541-245	Seat Insert w/ O-Ring
40.	541-256	Diaphragm Assembly
41.	516-221	Spring
42.	541-368	Head Assembly